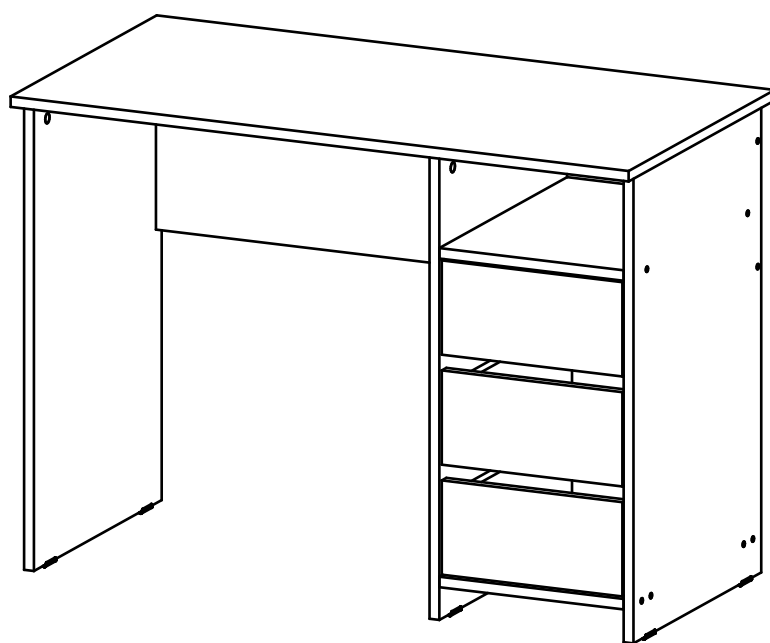
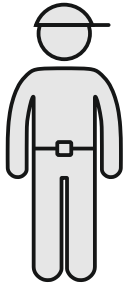


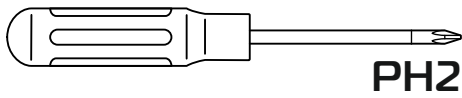
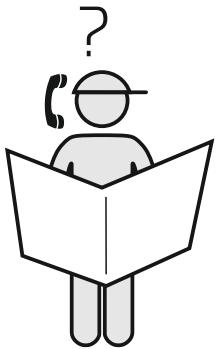
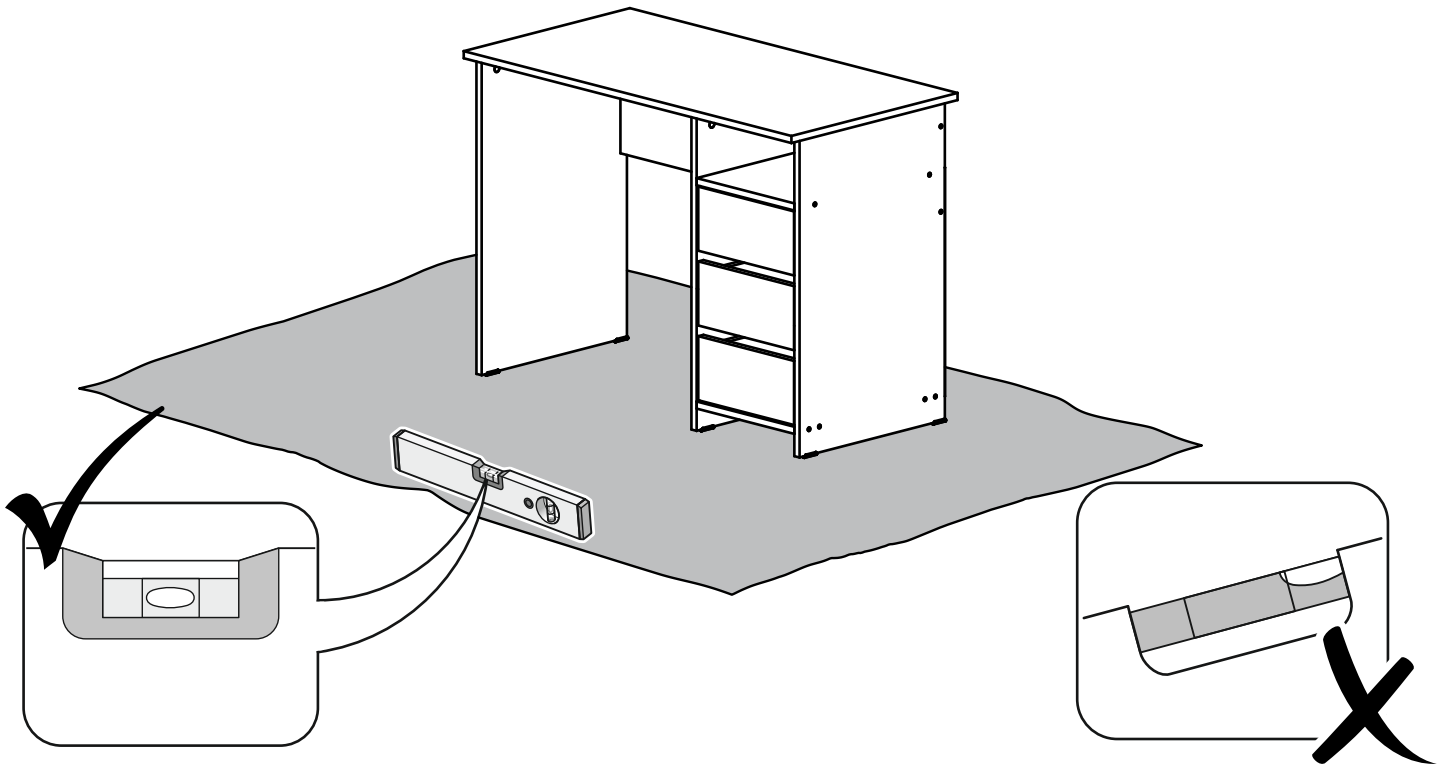
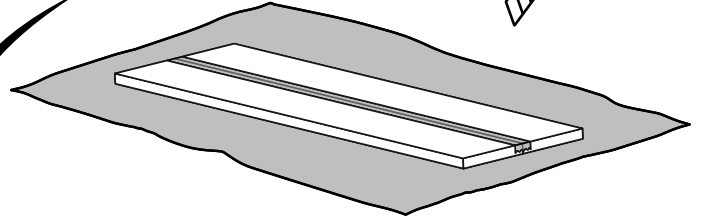
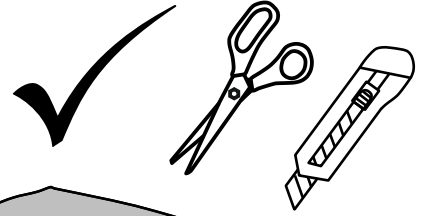
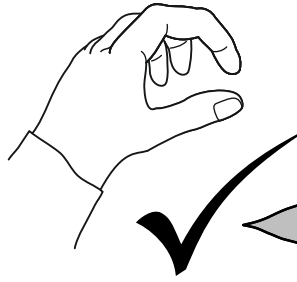
ТРИВЕРО-4

TRIVERO-4

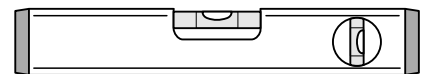
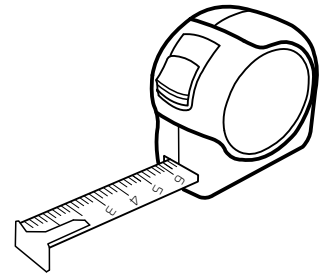
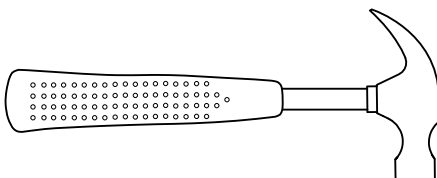


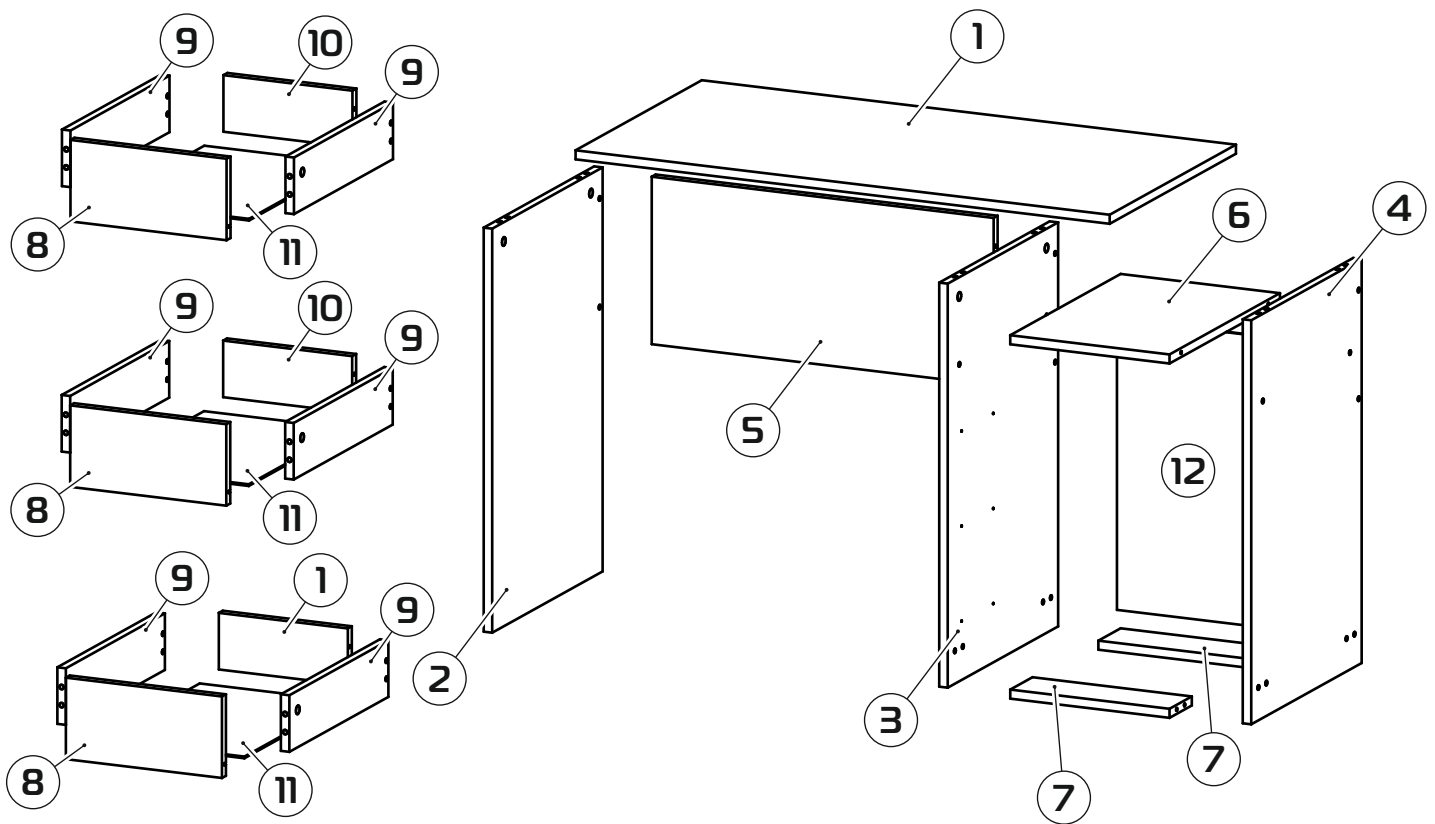


75-90 min



PH2





① 1006x510x16 (x1)

⑦ 300x90x16 (x2)

② 714x446x16 (x1)

⑧ 294x144x16 (x3)

③ 714x446x16 (x1)

⑨ 400x100x16 (x6)

④ 714x446x16 (x1)

⑩ 243x100x16 (x3)

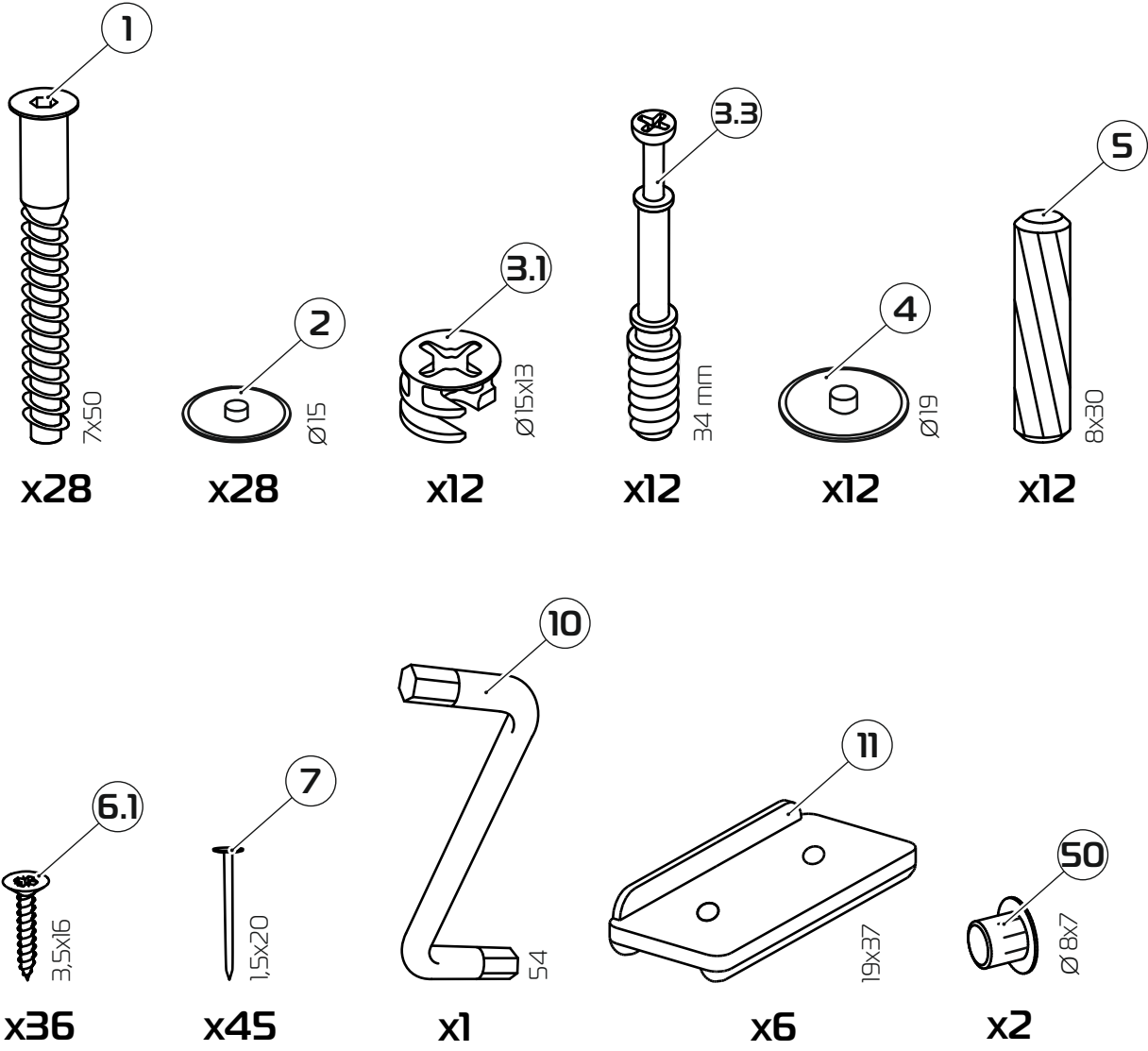
⑤ 644x296x16 (x1)

⑪ 273x405x3 (x3)

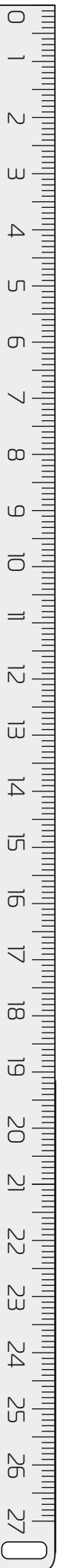
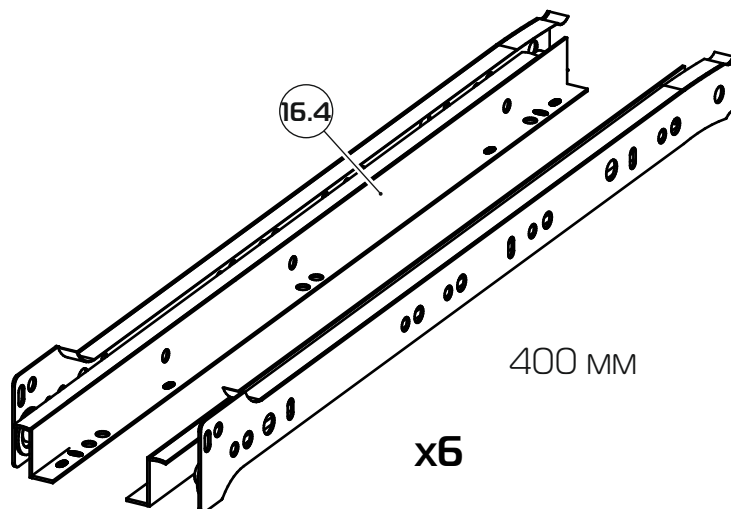
⑥ 300x446x16 (x1)

⑫ 514x327x3 (x1)

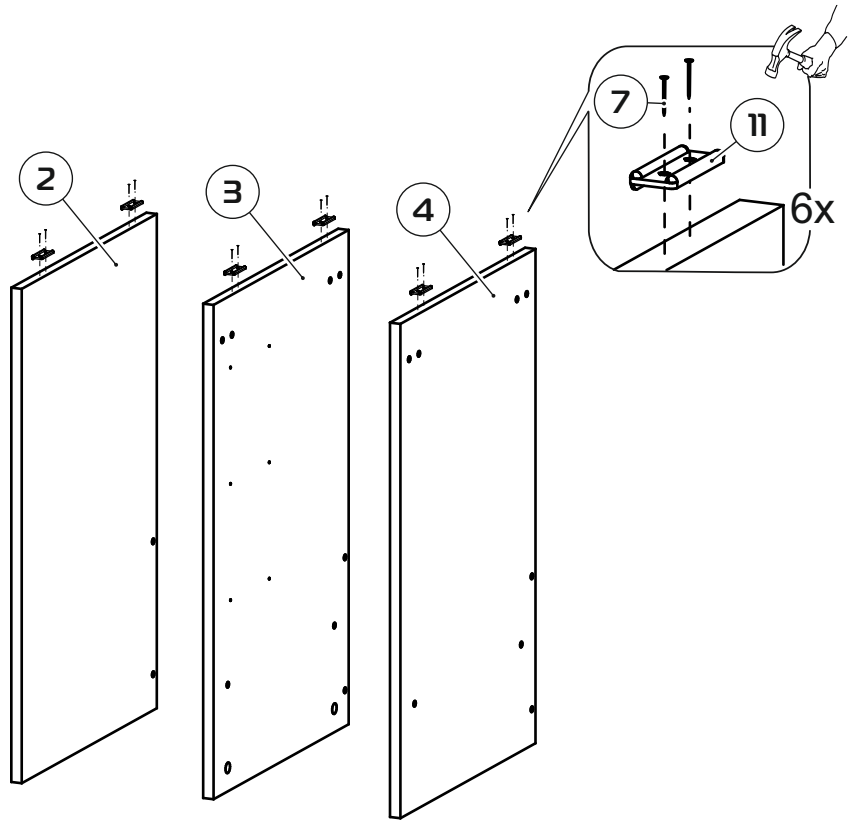
1:1



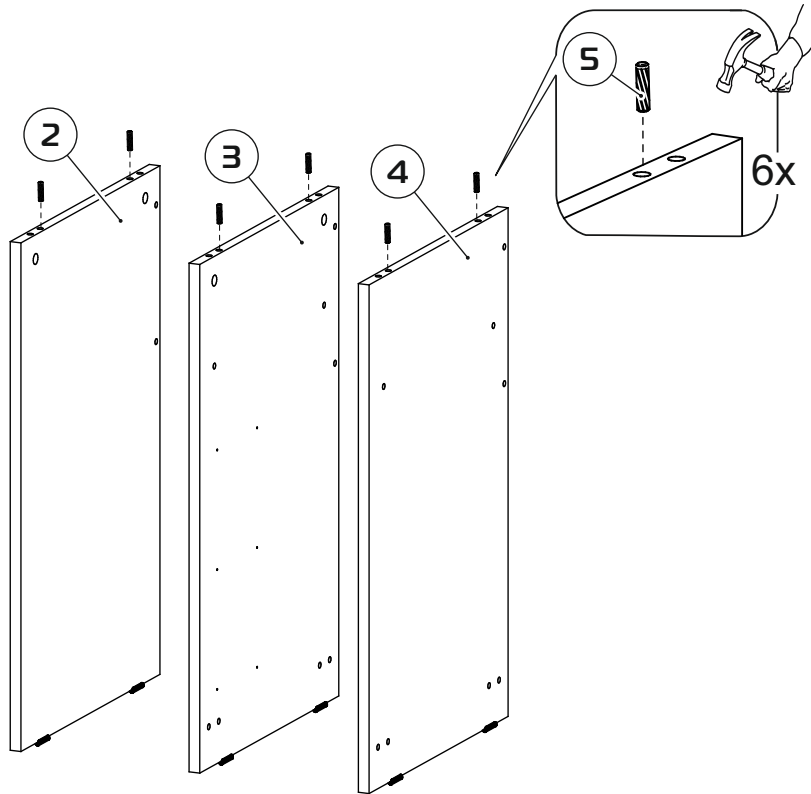
1:2



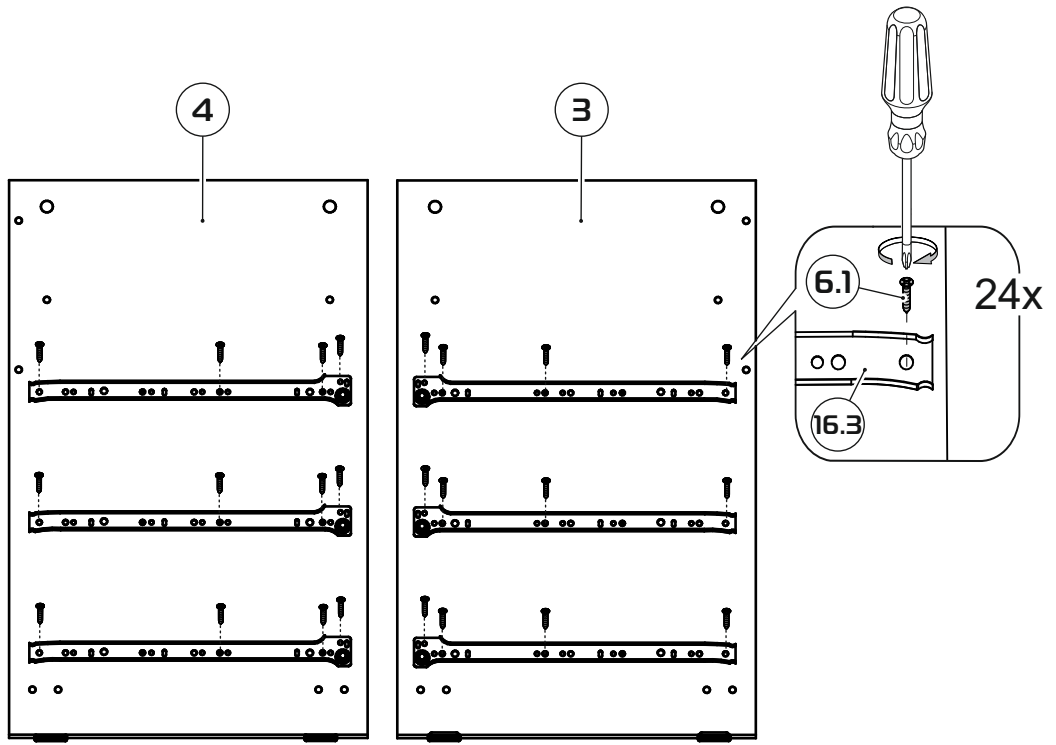
1



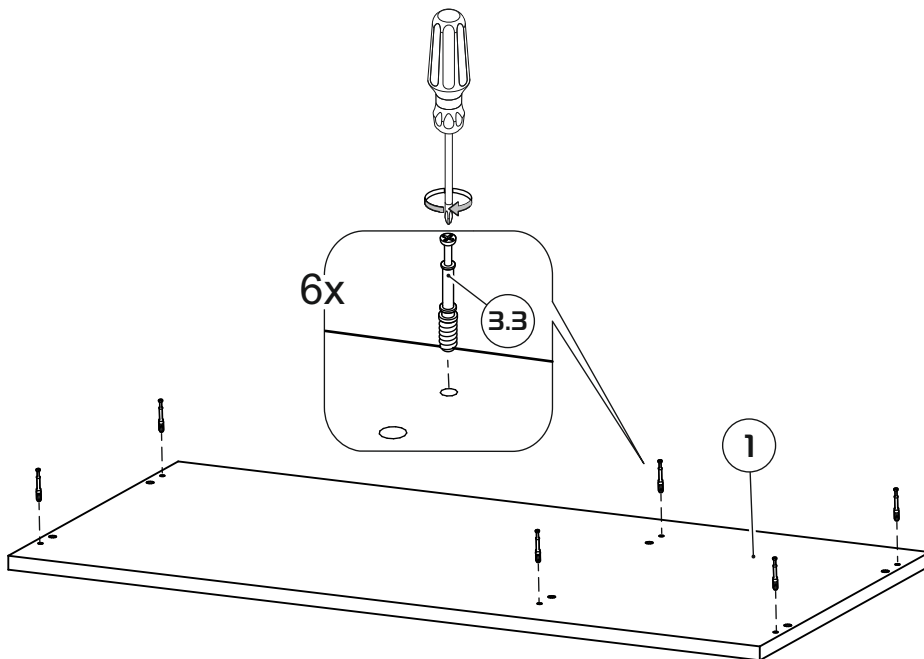
2

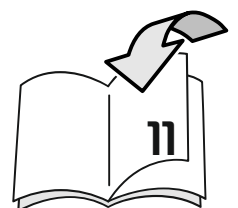
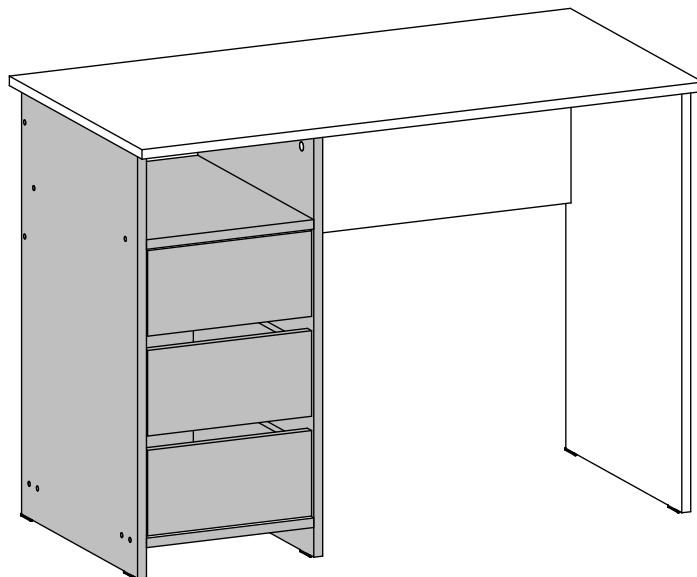
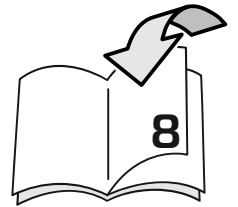
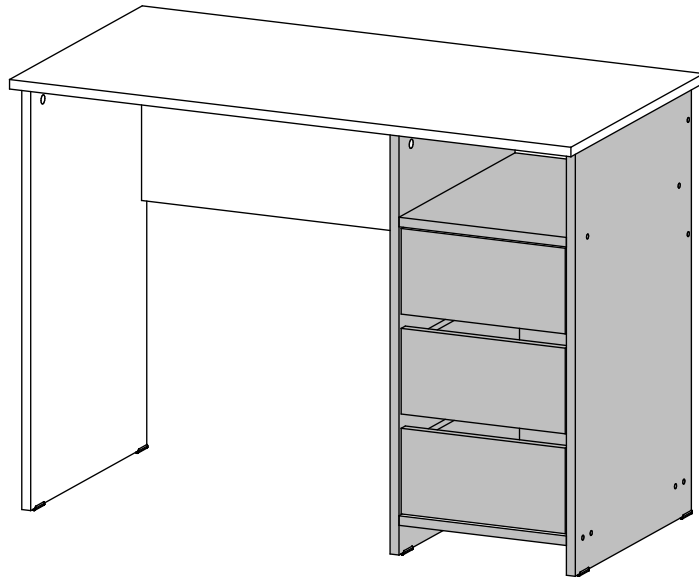


3

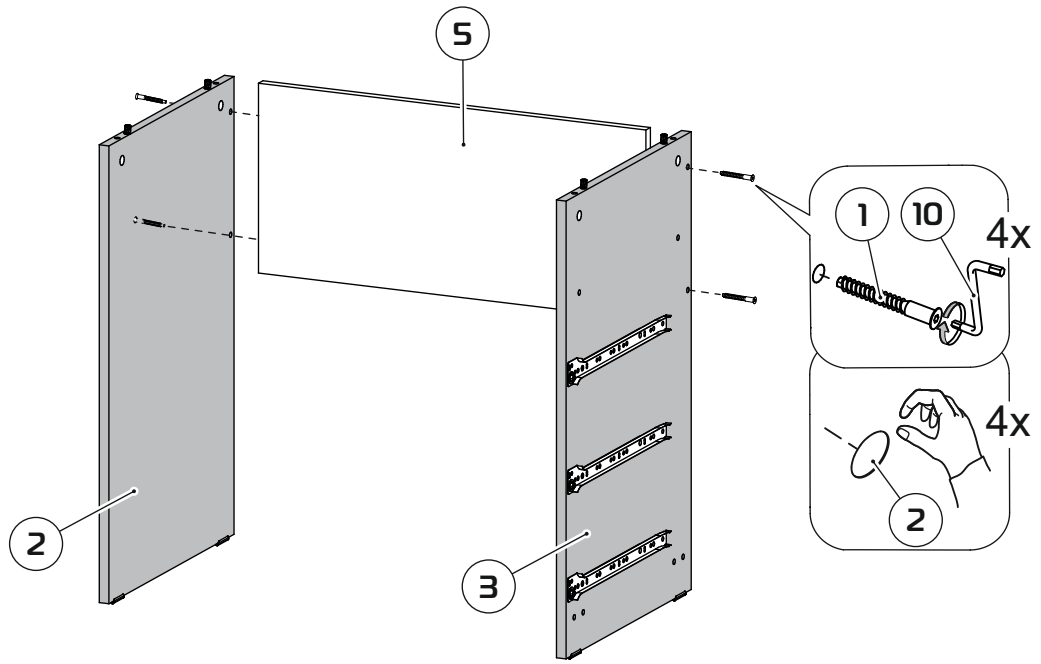


4

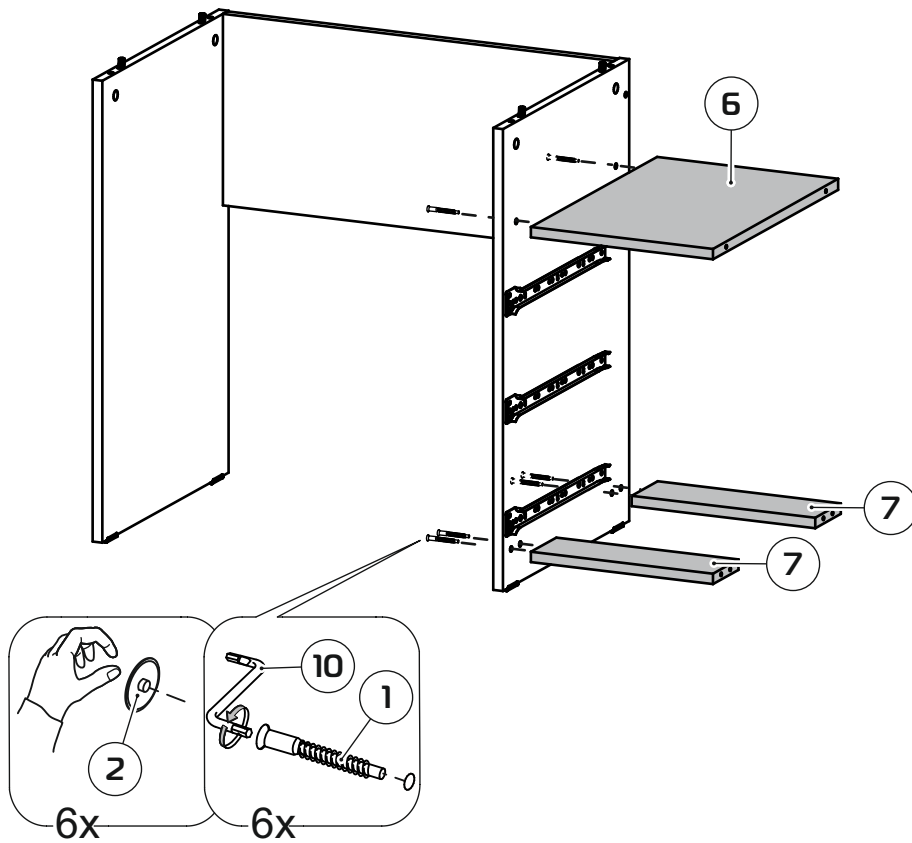




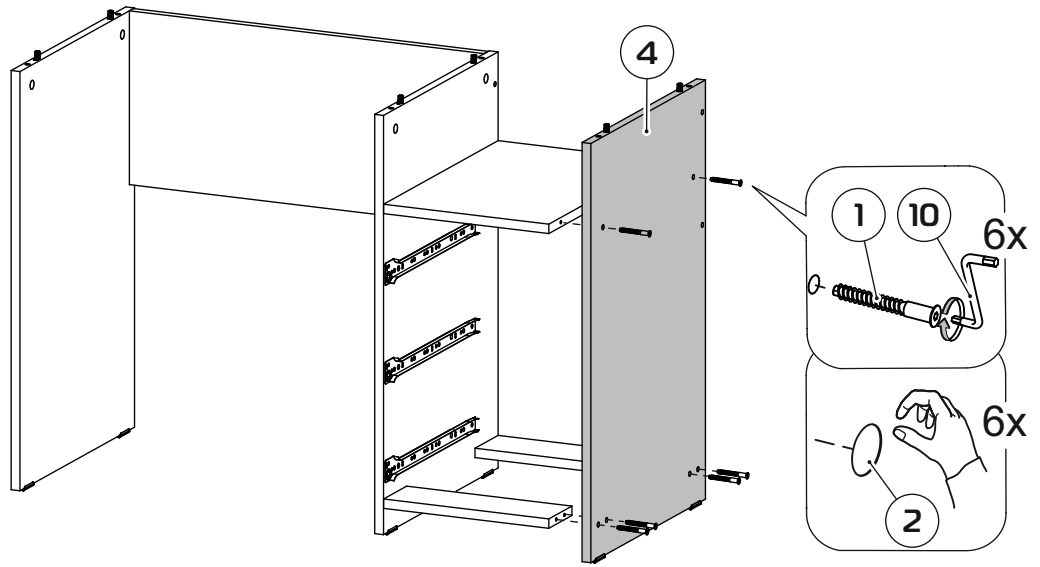
5



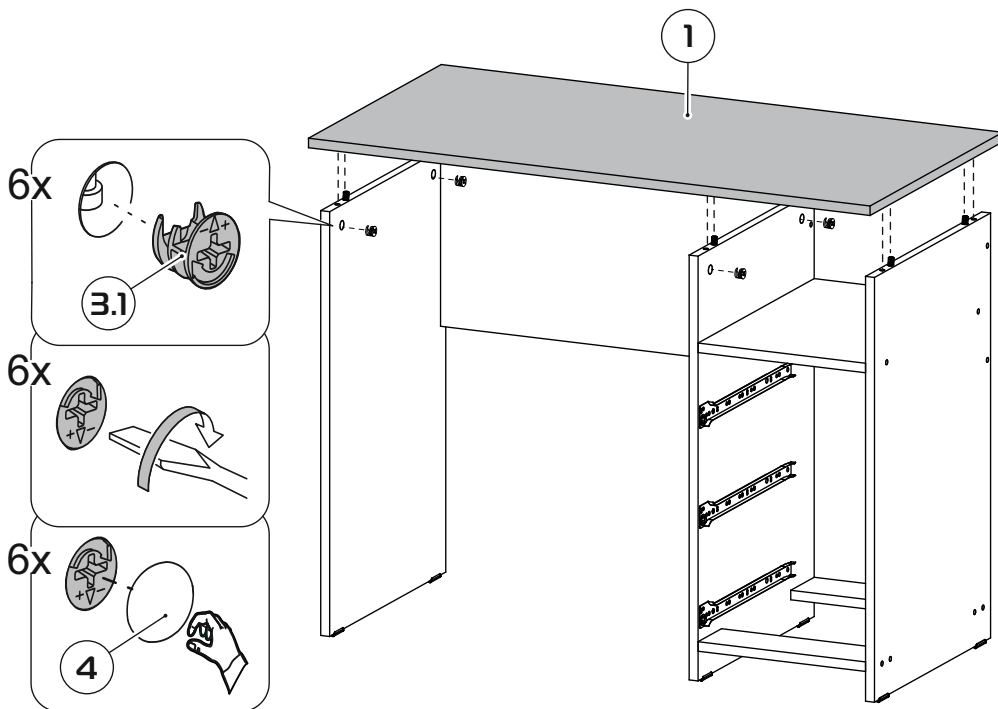
6



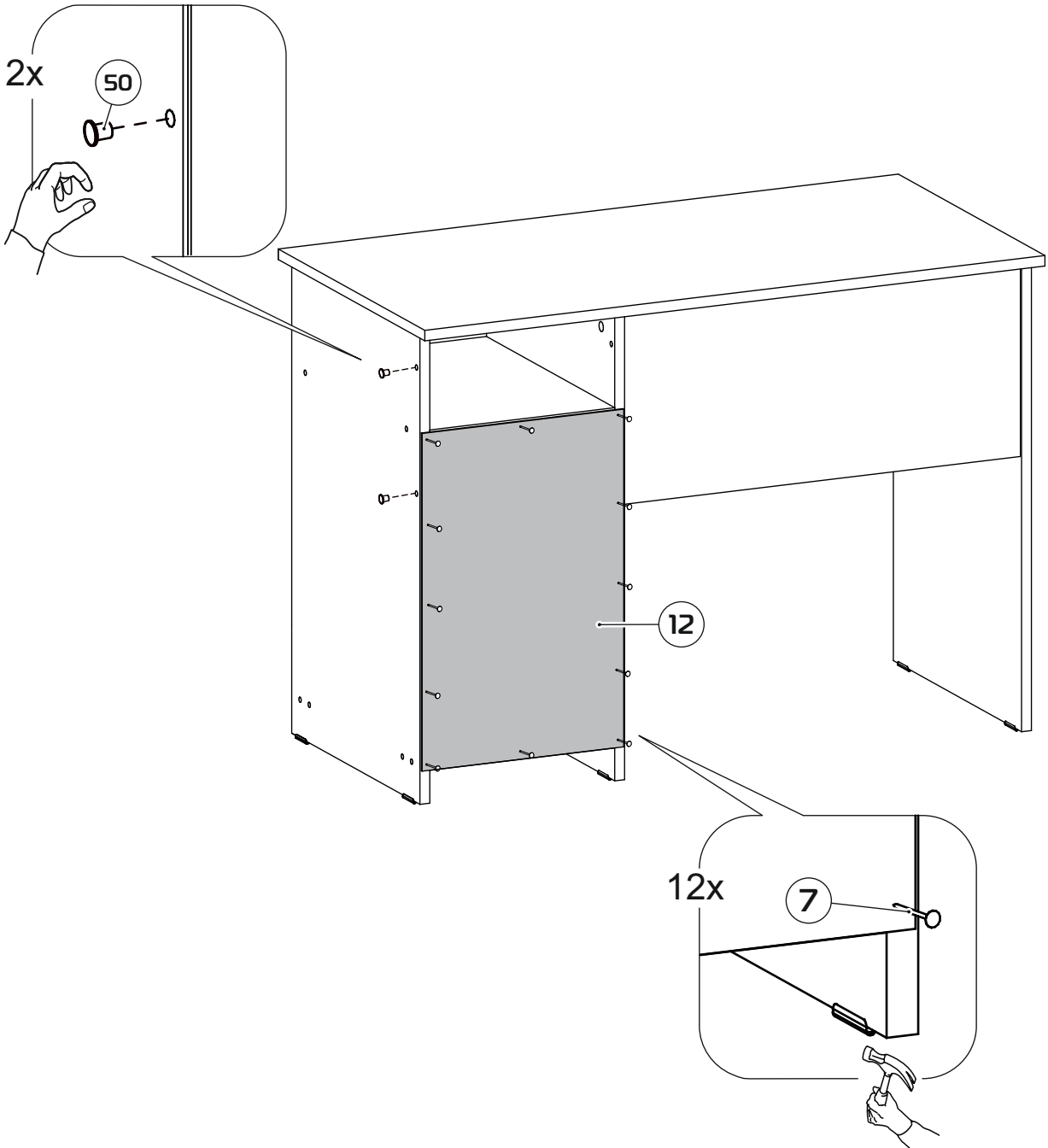
7



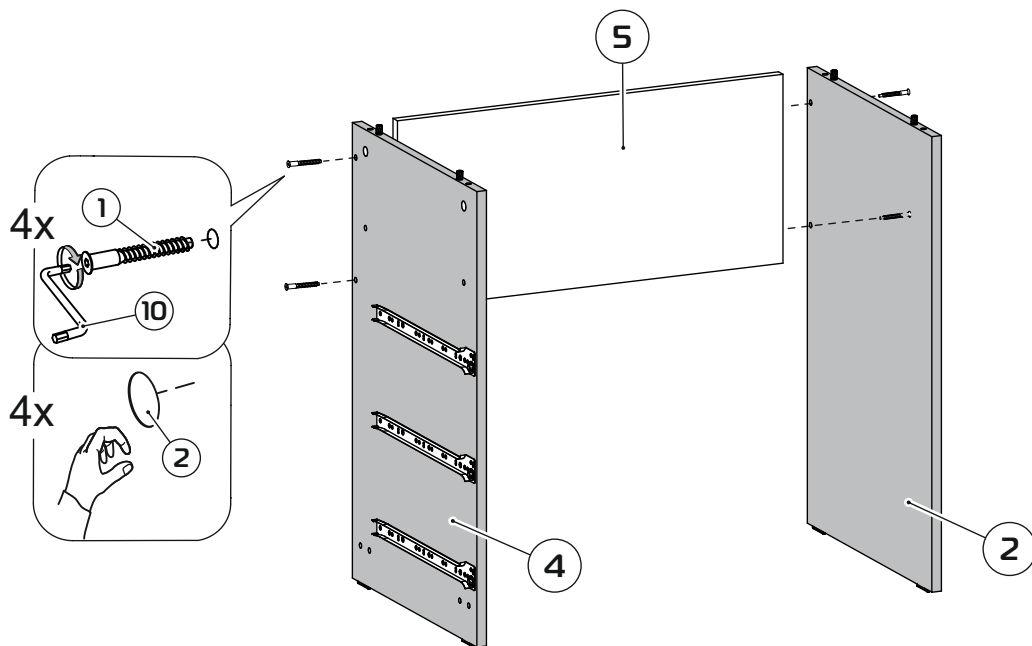
8



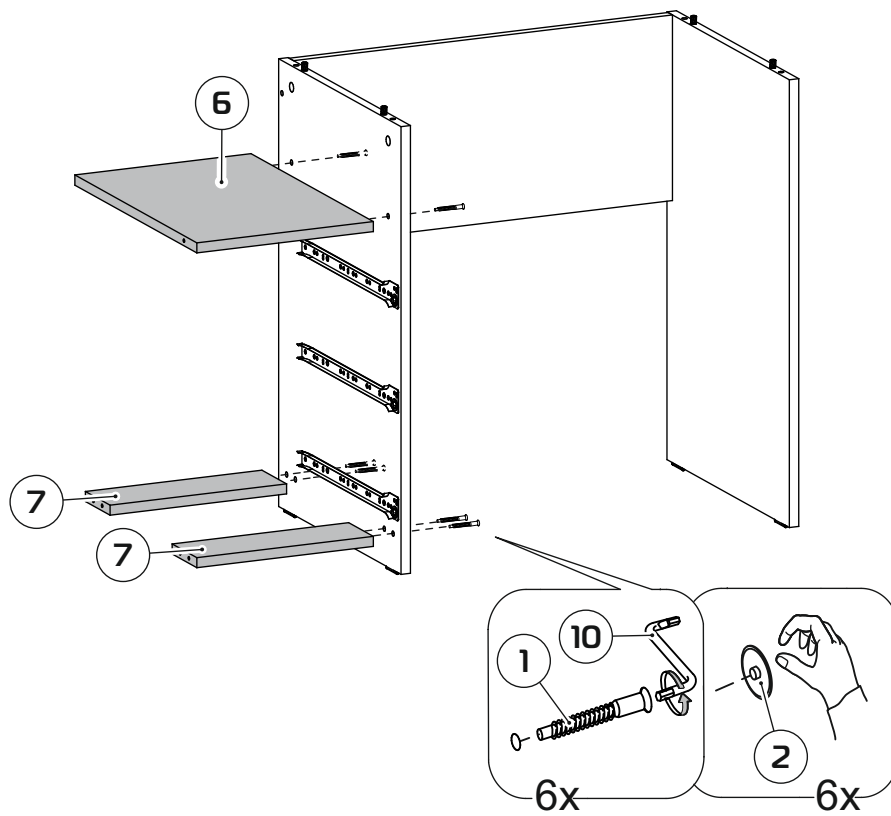
9



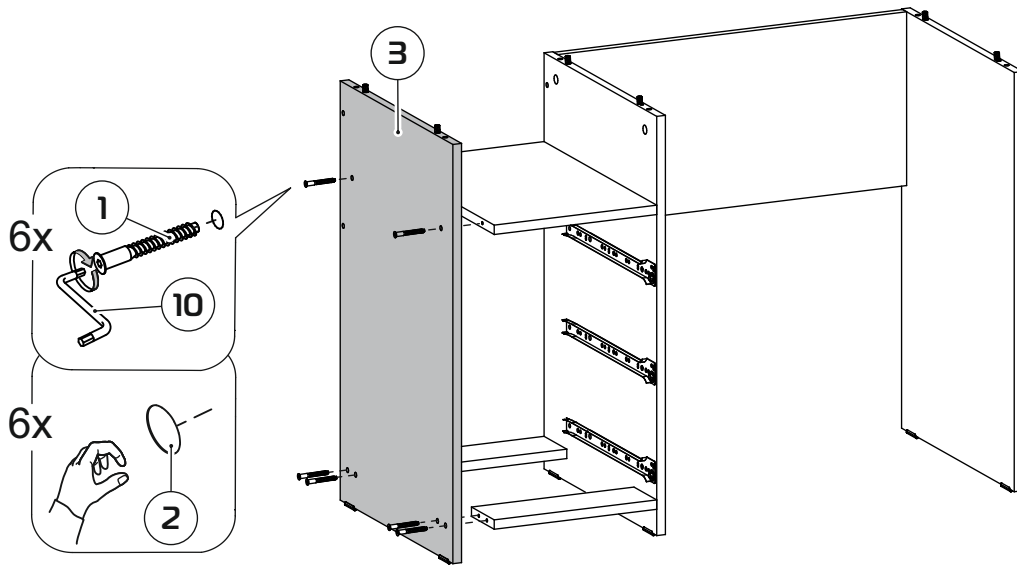
10



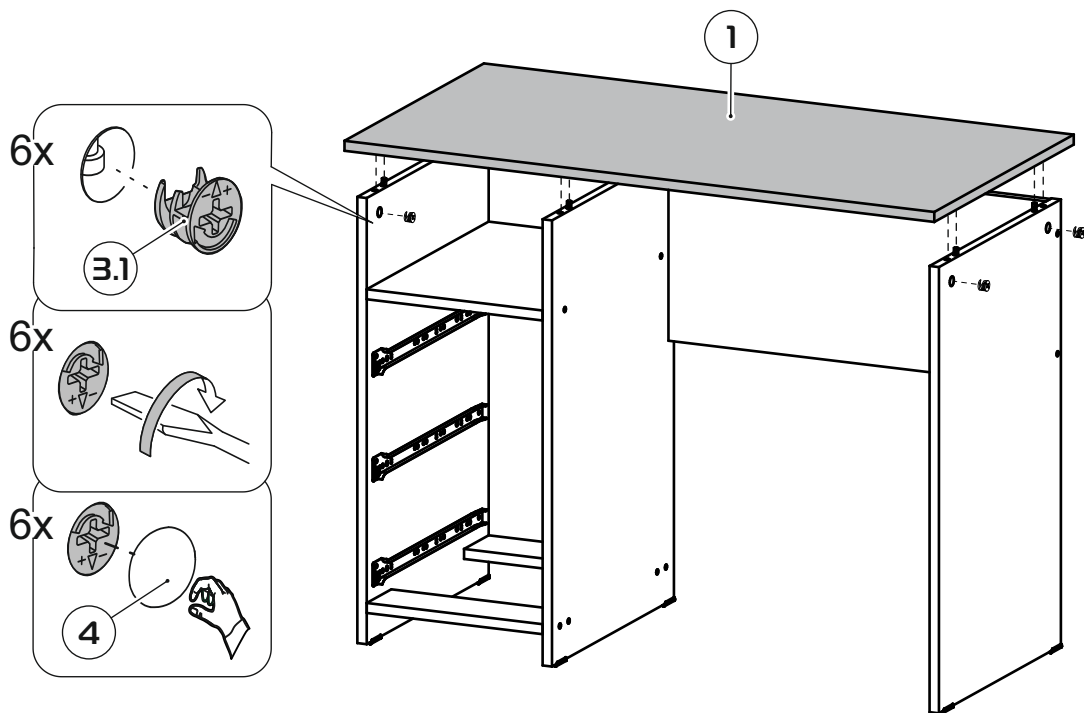
11

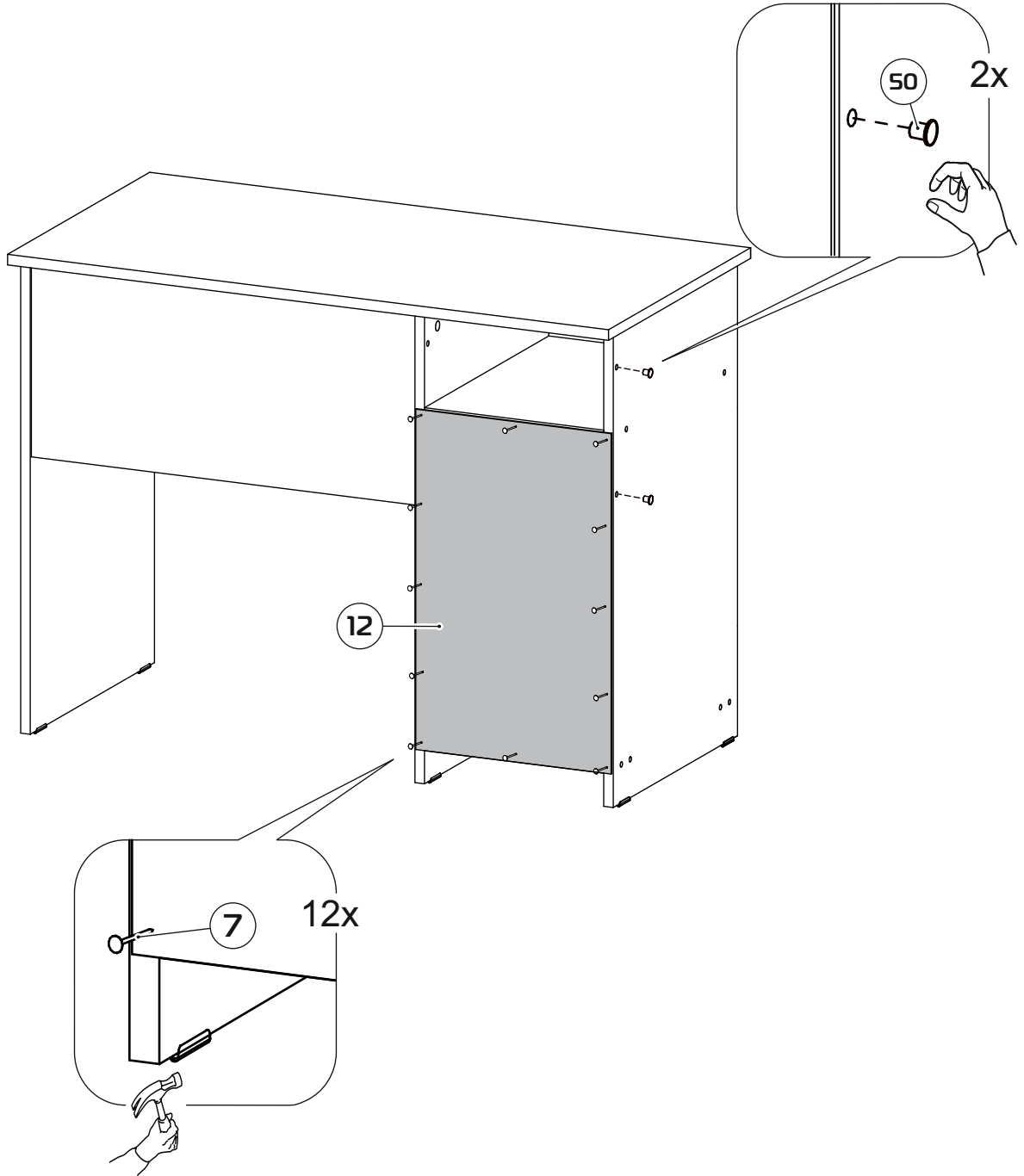


12

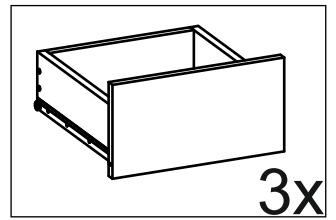
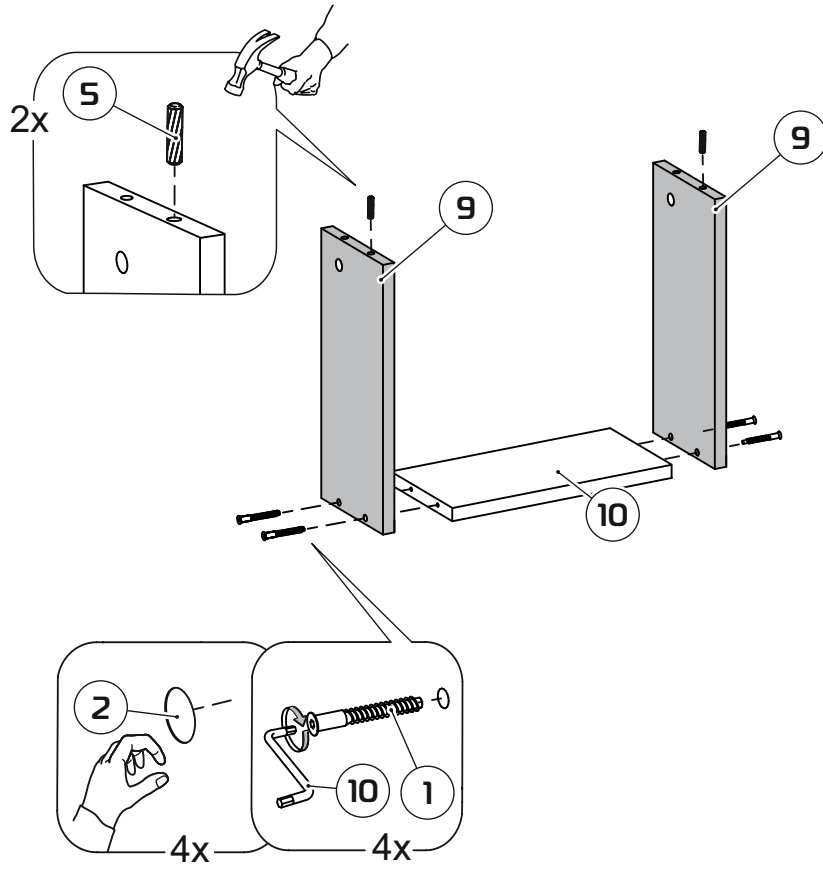


13

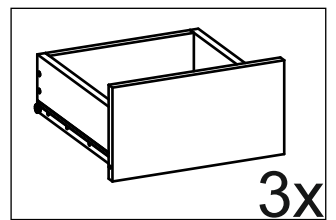
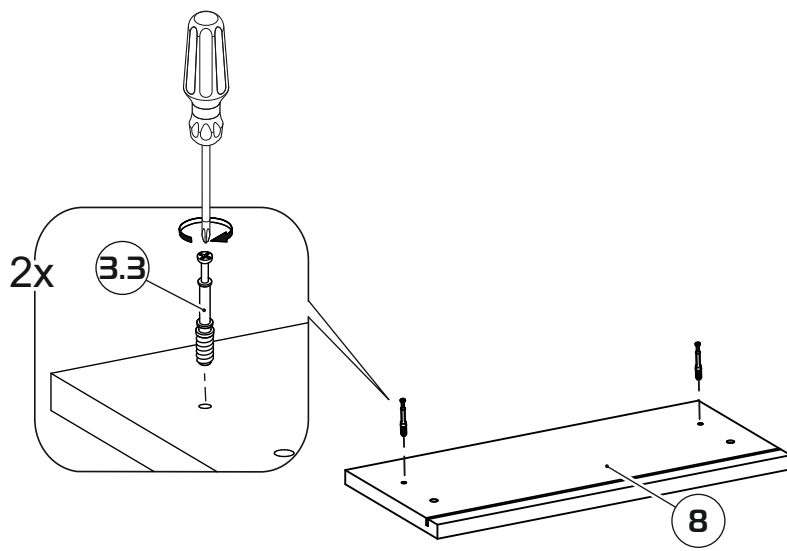




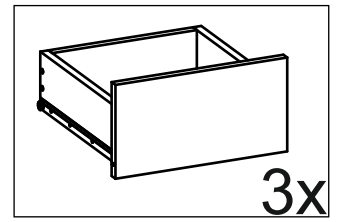
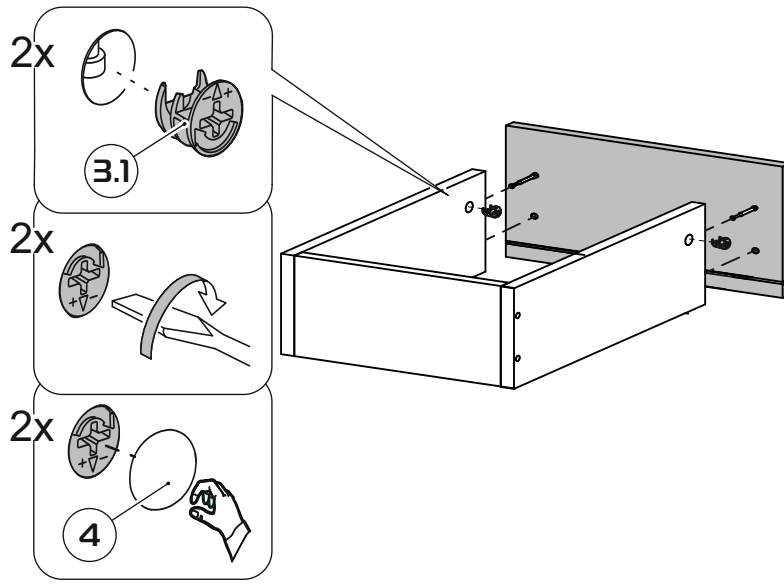
15



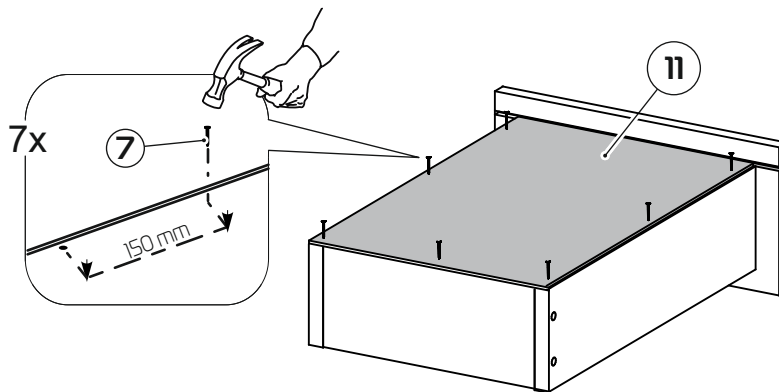
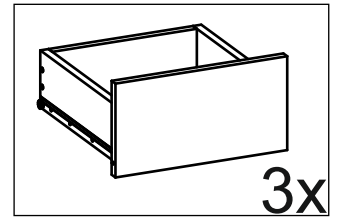
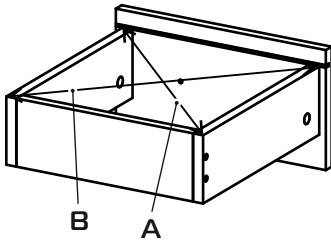
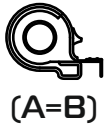
16



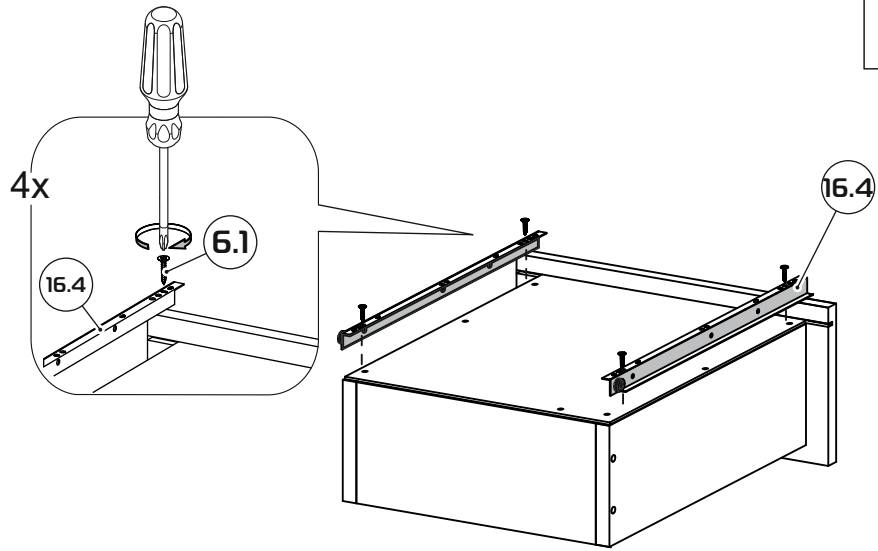
17



18



19



20

