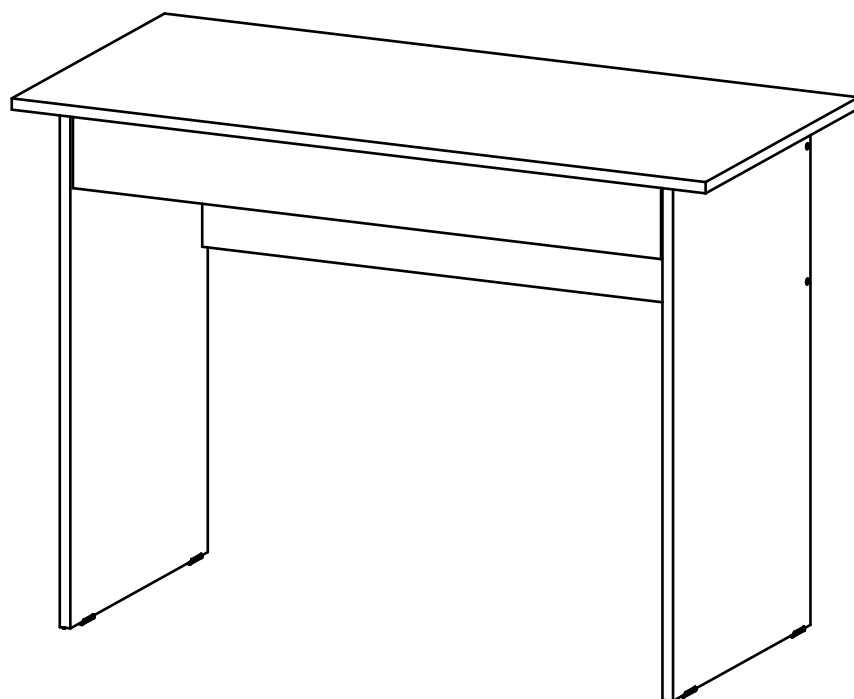
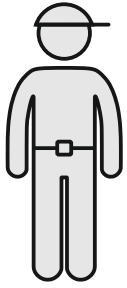


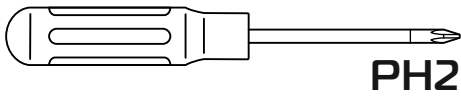
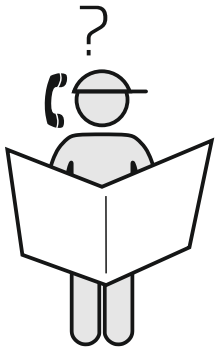
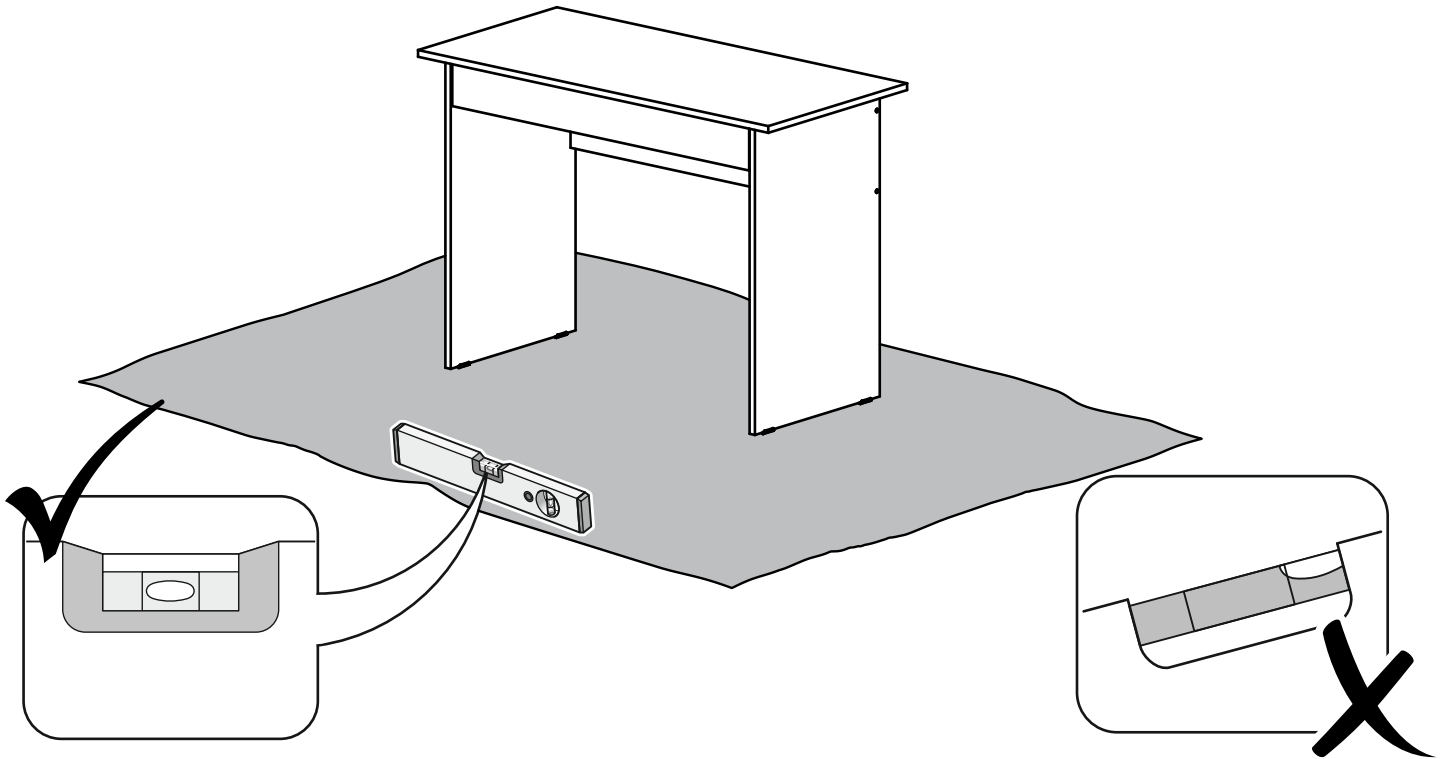
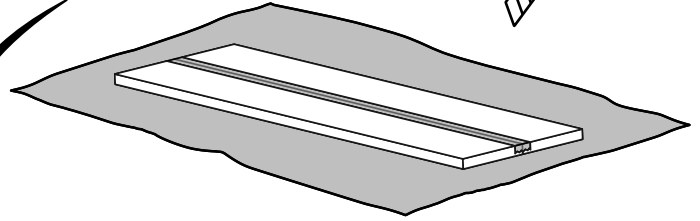
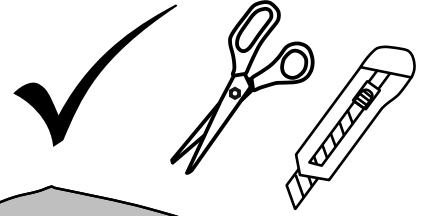
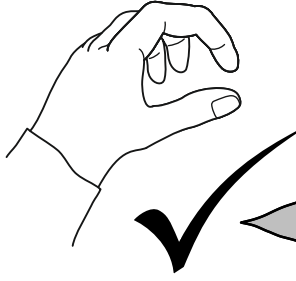
МИЛАН-107

MILAN-107

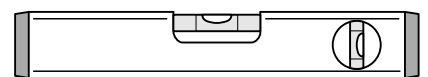
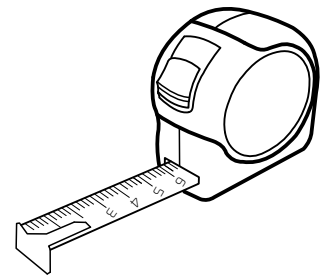
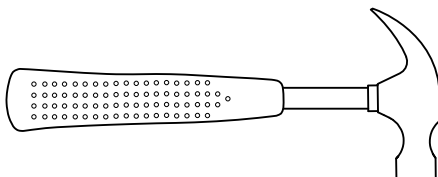


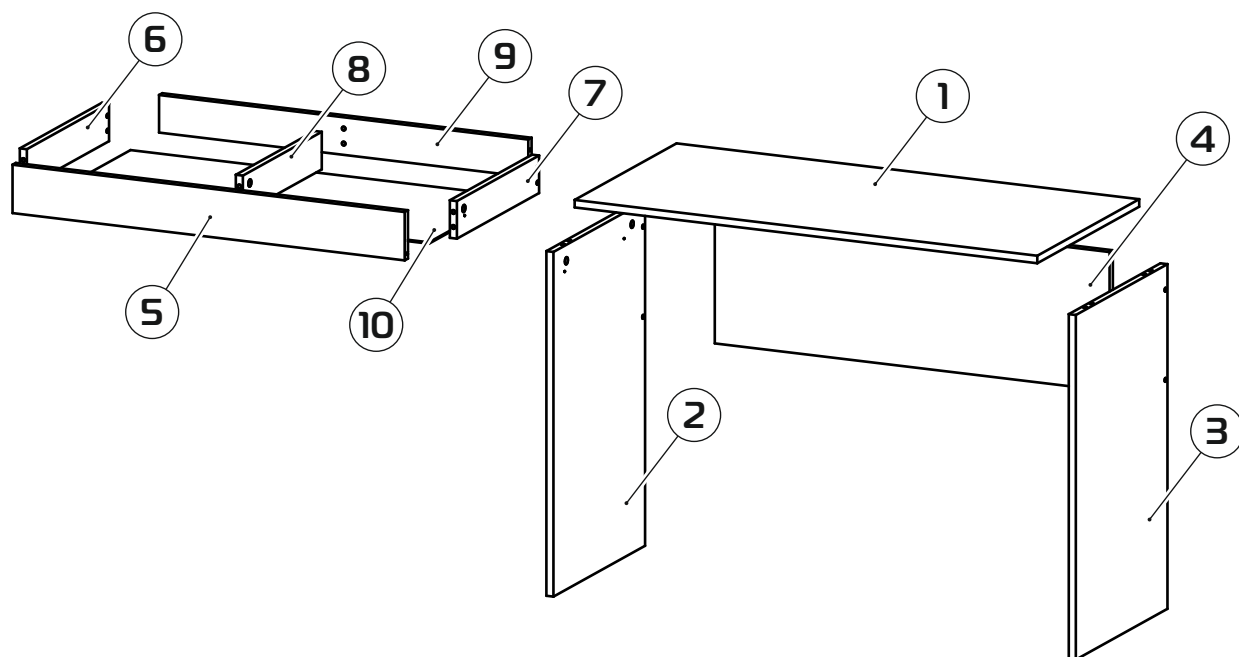


60-75 min



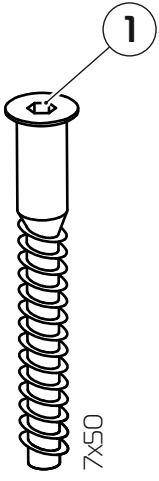
PH2



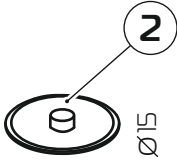


- | | |
|--------------------|------------------|
| ① 1050x496x16 (x1) | ⑥ 400x80x16 (x1) |
| ② 734x446x16 (x1) | ⑦ 400x80x16 (x1) |
| ③ 734x446x16 (x1) | ⑧ 384x80x16 (x1) |
| ④ 896x292x16 (x1) | ⑨ 838x80x16 (x1) |
| ⑤ 890x103x16 (x1) | ⑩ 866x405x3 (x1) |

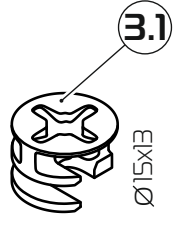
1:1



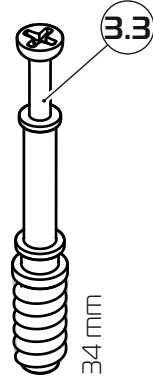
x10



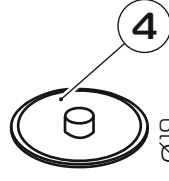
x10



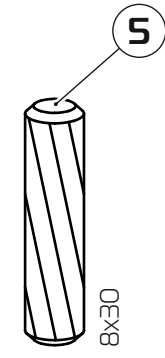
x7



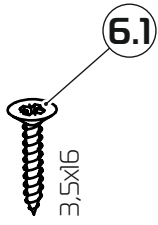
x7



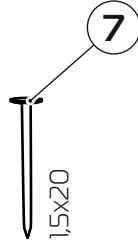
x7



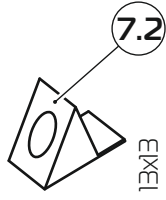
x7



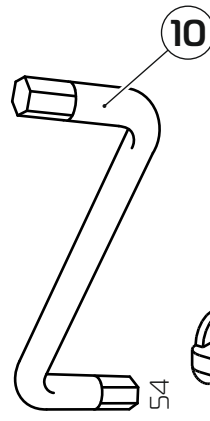
x19



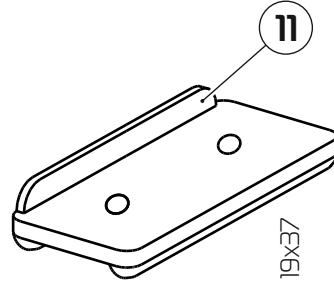
x8



x1

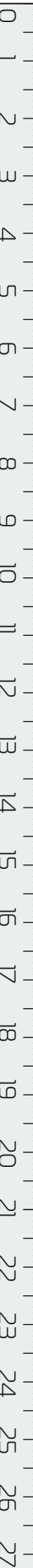
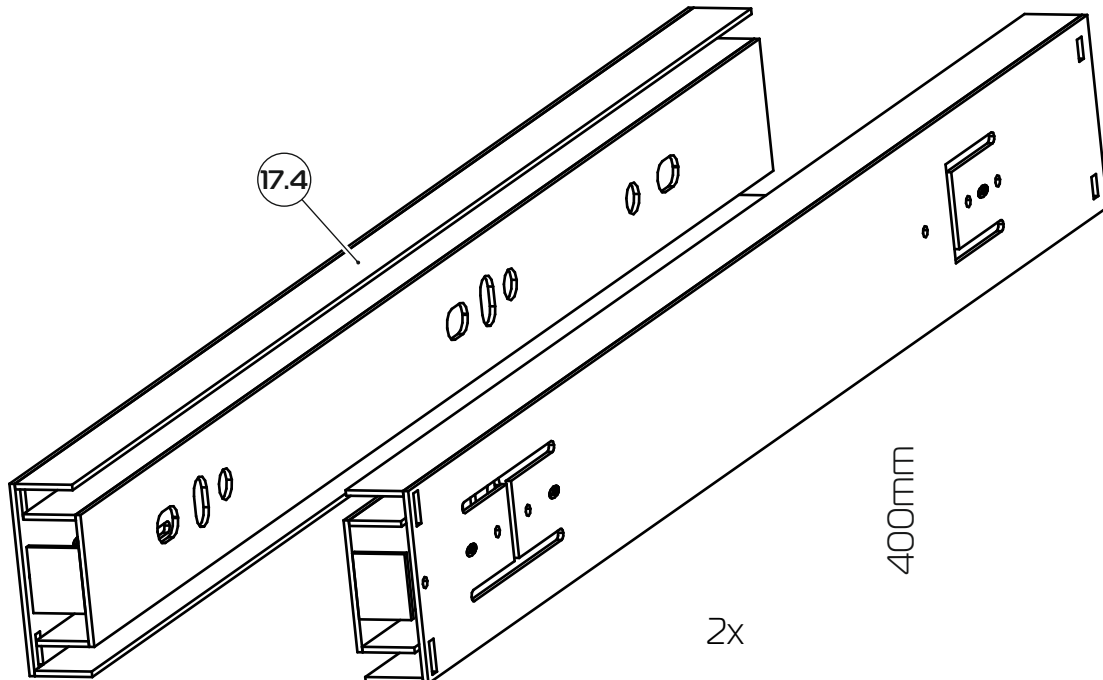


x1

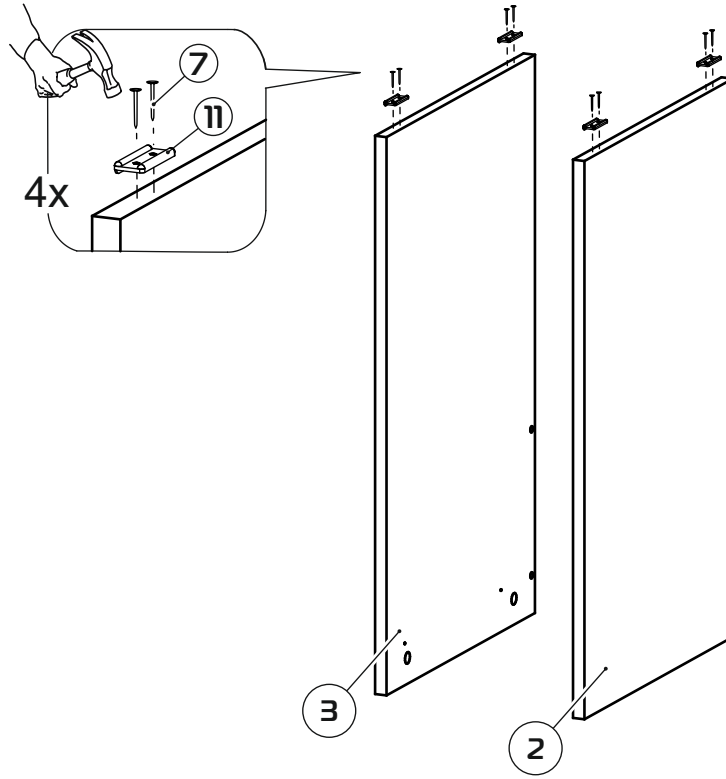


x4

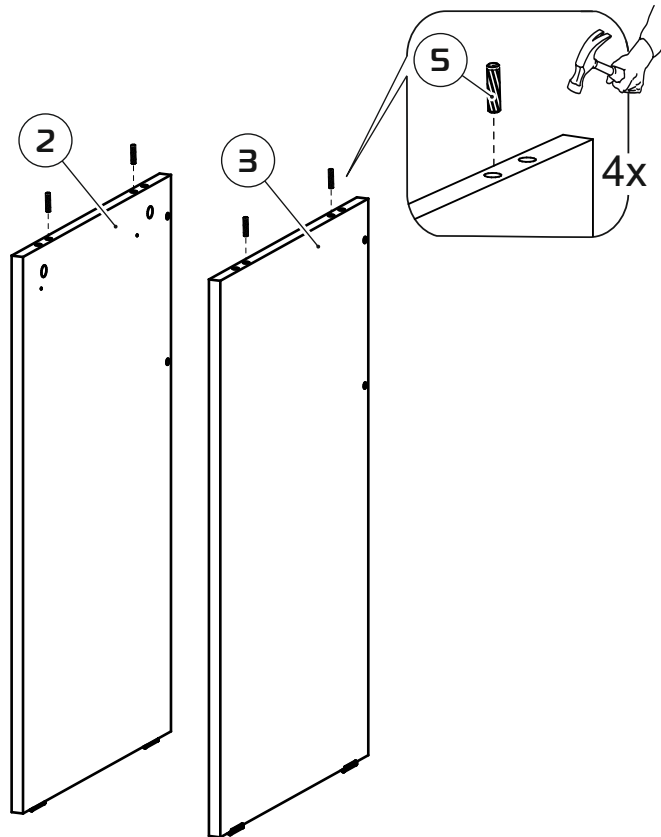
1:2



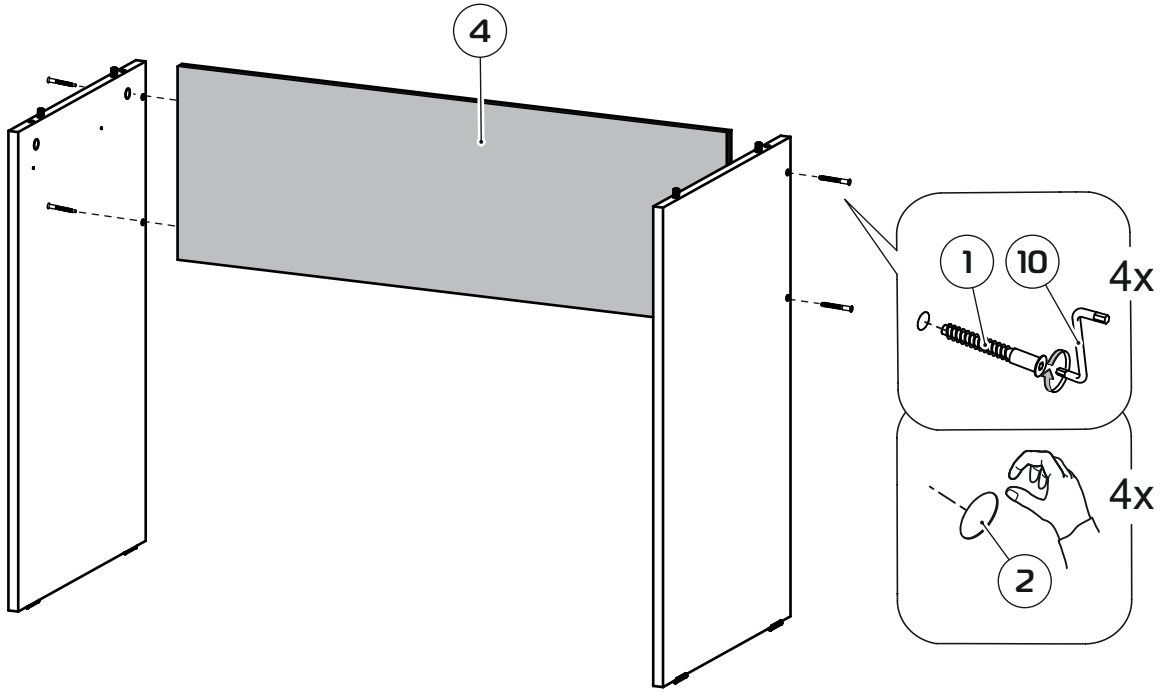
1



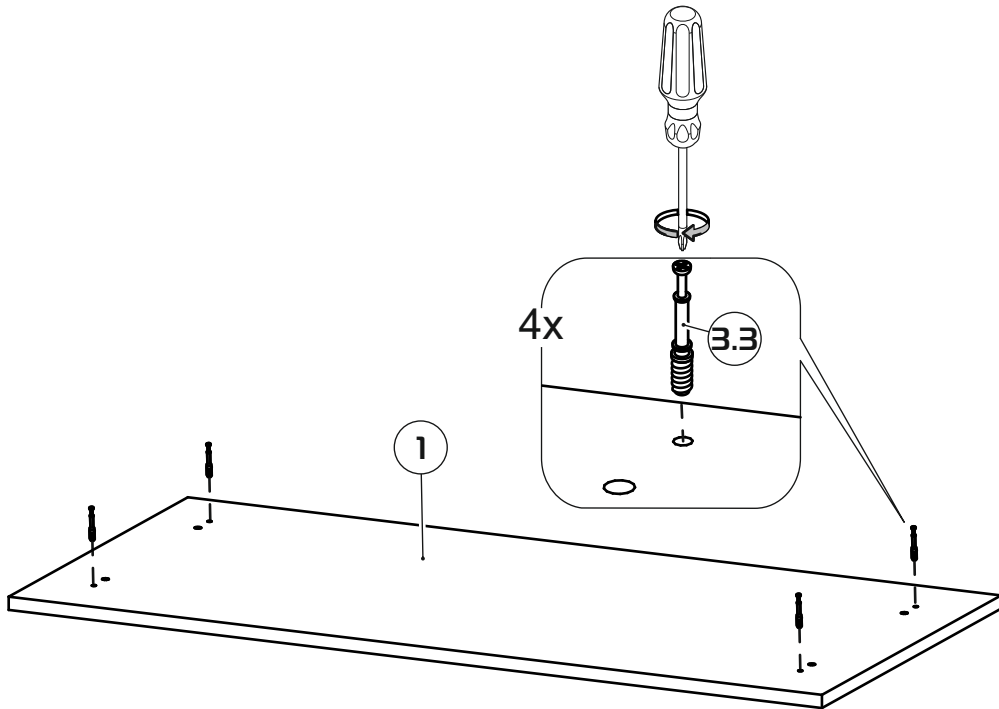
2



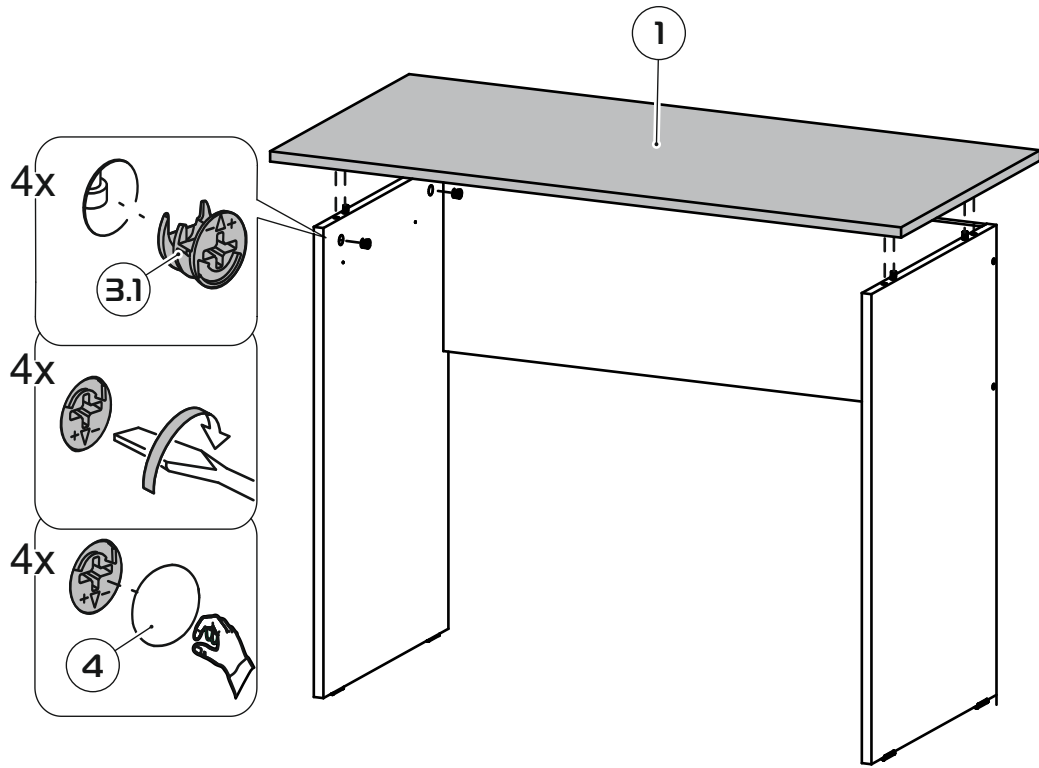
3



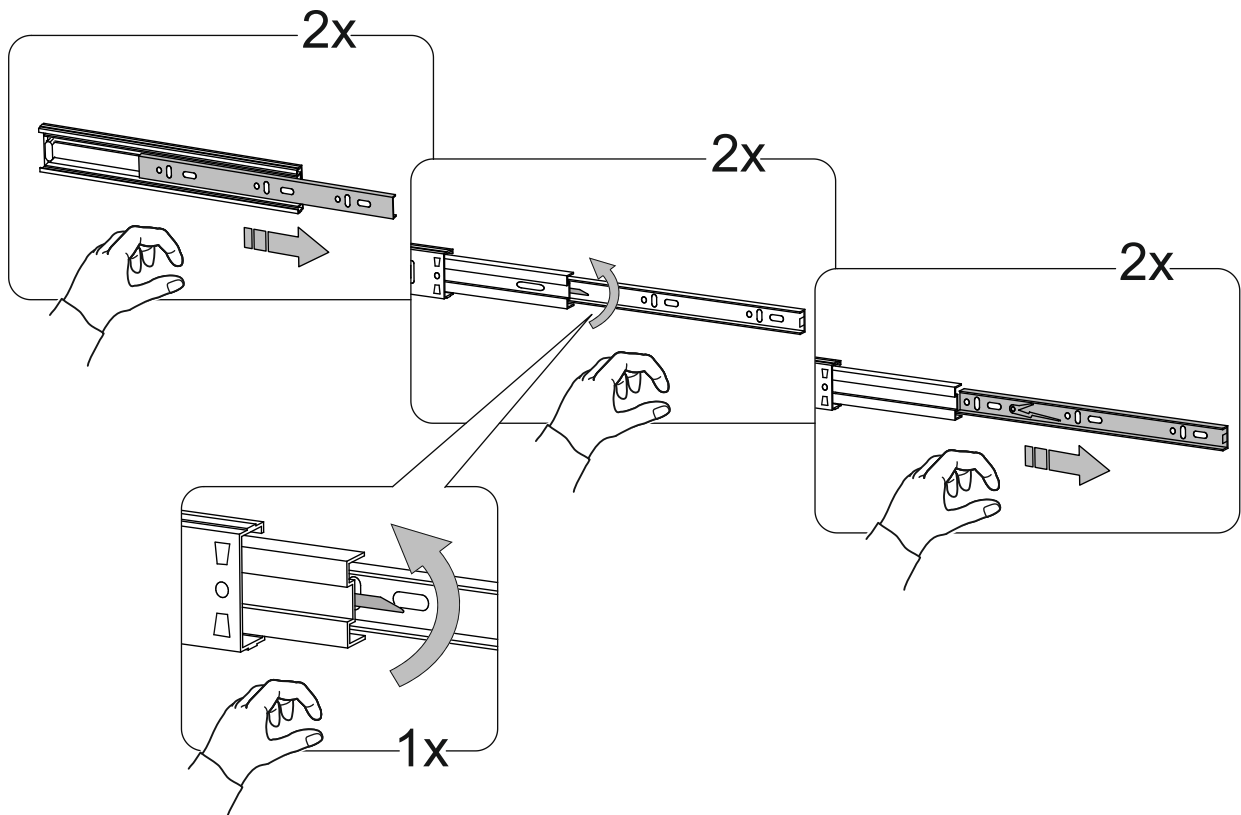
4



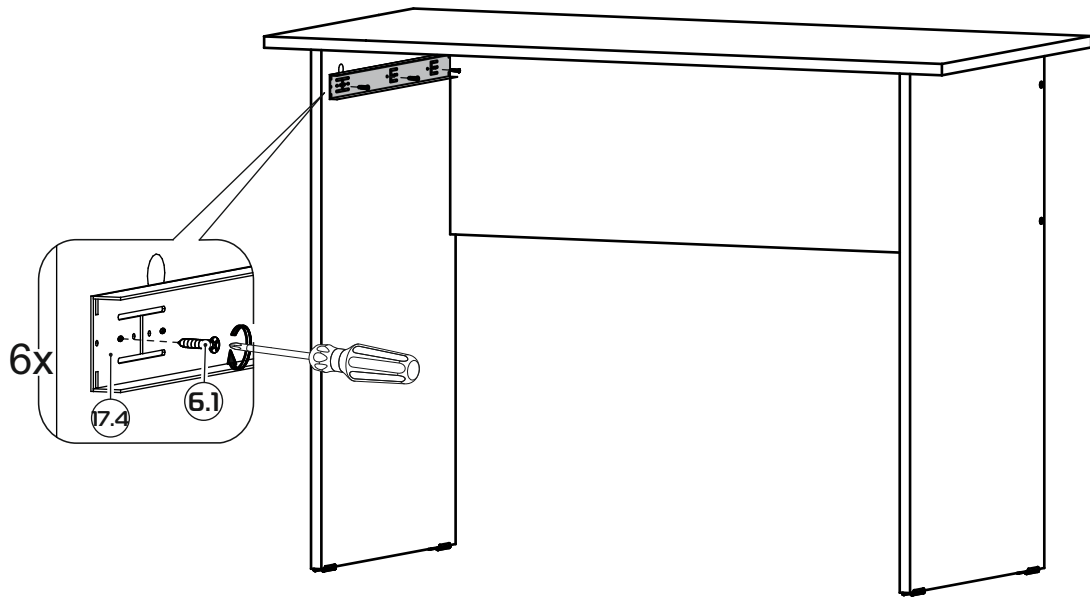
5



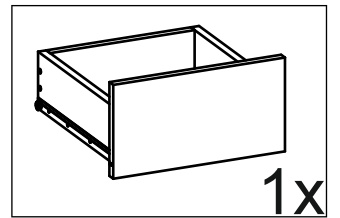
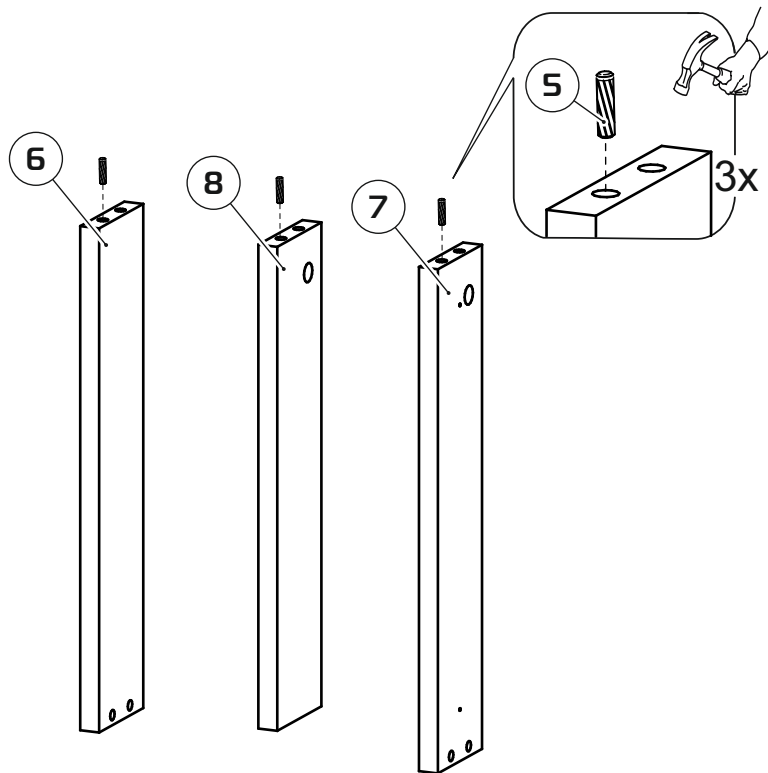
6



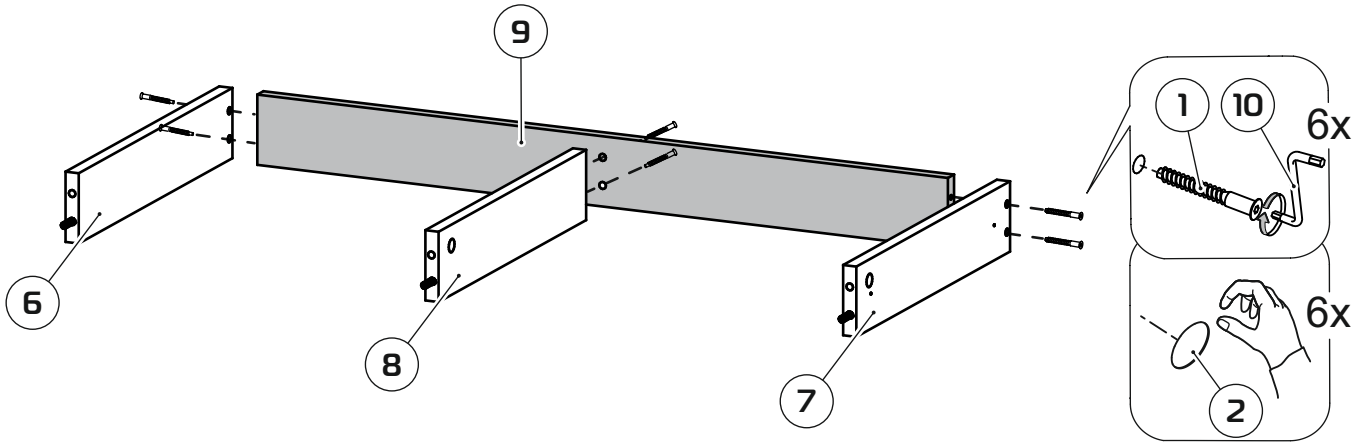
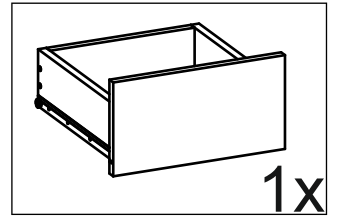
7



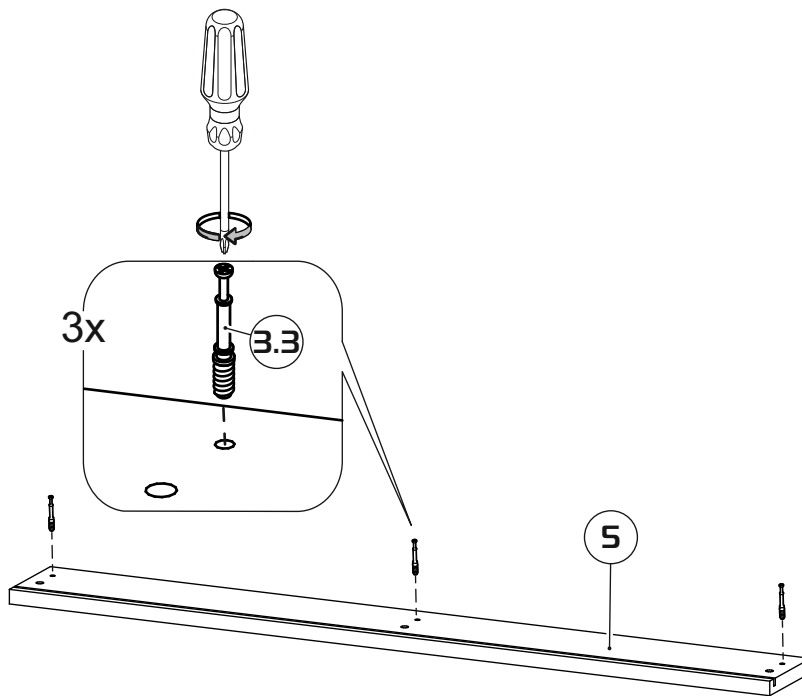
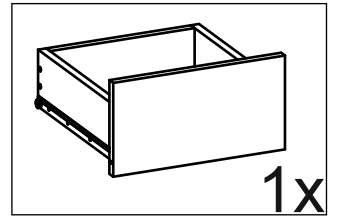
8



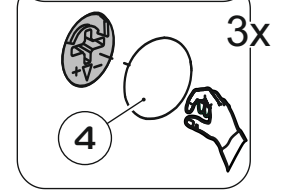
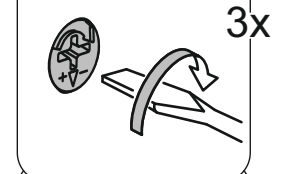
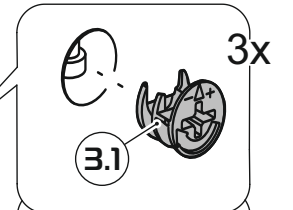
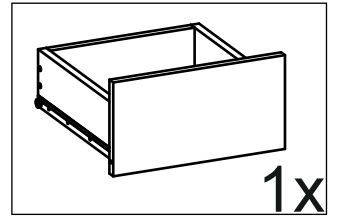
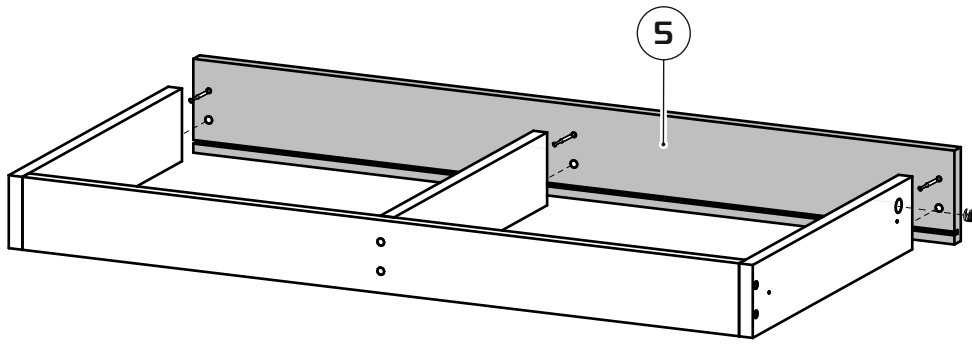
9



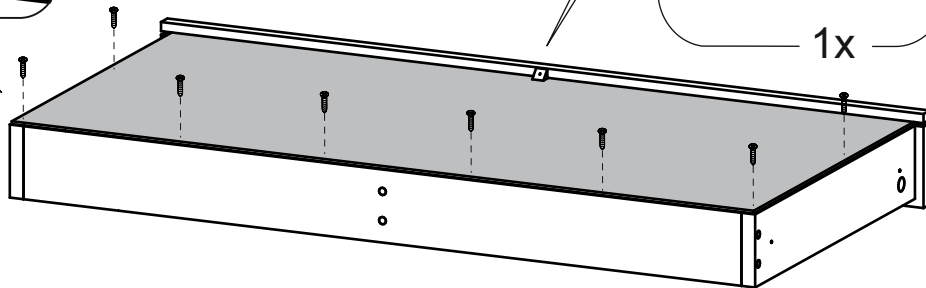
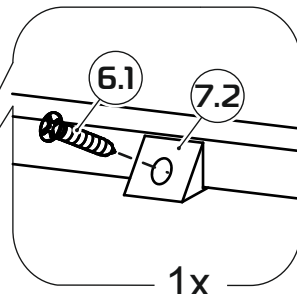
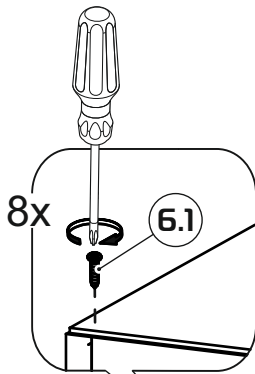
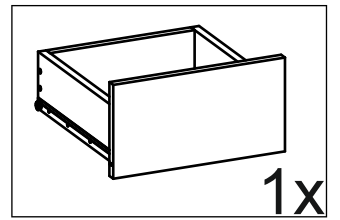
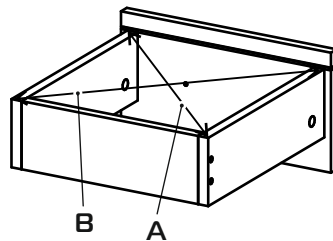
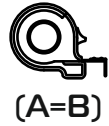
10



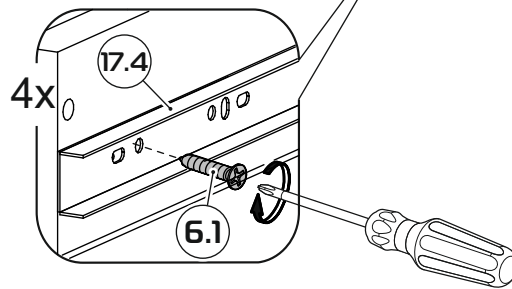
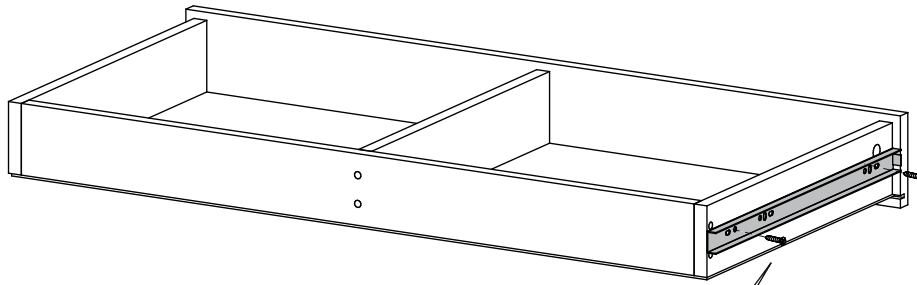
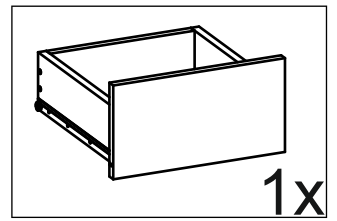
11



12



13



14

